

EuroMaster Premium Step Platform FPE-PM 1.7

Technical Data Sheet

PROPERTIES

☑ Standards	EN 131-7:2013
⚠ Load Rating	150kg
⚡ Electrical Properties	Non conductive
🔧 Warranty	3 years from date of manufacturing

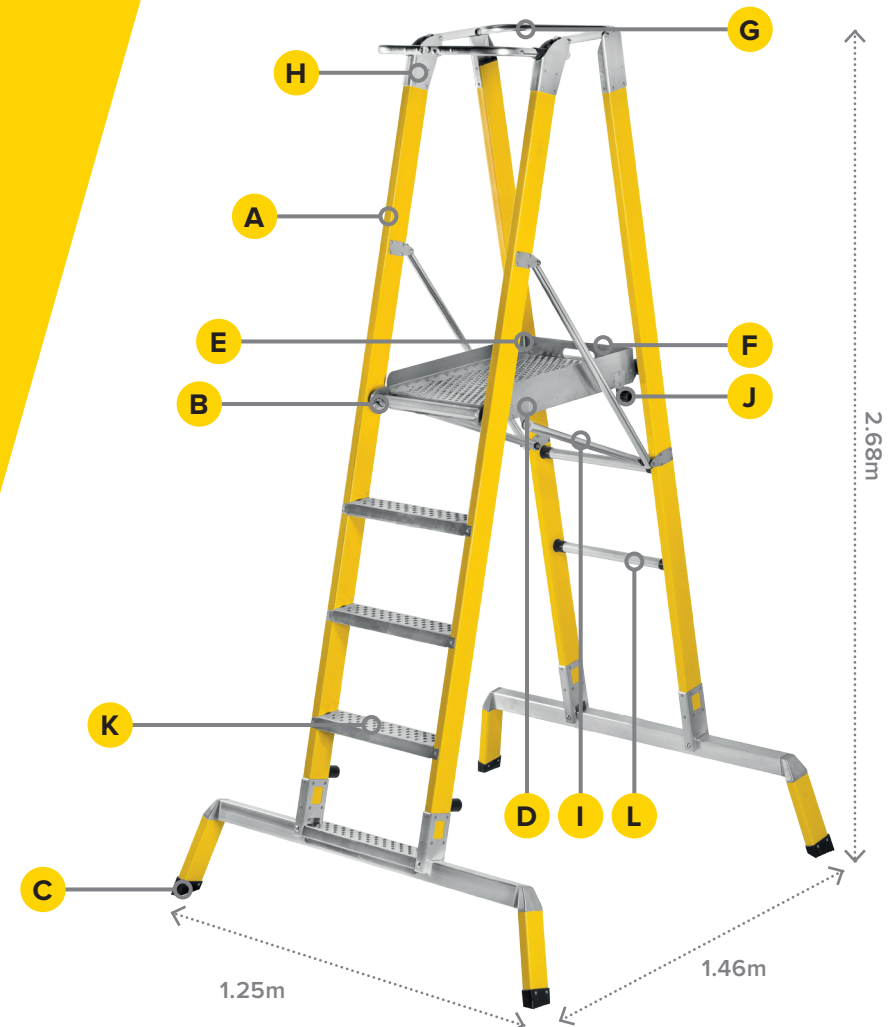
MEASUREMENTS

⚖ Weight	22.9kg
↕ Distance Between Rungs	0.300m
◇ Open Height	2.68m
∨ Closed Height	2.88m
↔ Platform Height	1.72m
∩ Handrail Height	0.96m above platform
✂ Closed Width	0.23m
⏏ Width with Stabilisers	1.25m
⏏ Front to Rear Spread	1.46m
📏 Number of Steps	6 including platform

COMPONENTS

A Stiles	Fibreglass: ISO-PE resin with e-glass fibres
B Rungs	Round: Alloy 6060 / Mg 0.35-0.6 / Ti 0.10%
C Feet	Thermoplastic Polyurethane
D Platform Deck	Alloy 5052/5251 / Mg 2.2-2.8 / Ti 0%
E Platform Hooks	Alloy 5083-H116 / Mg 4.0-4.9 / Ti 0-0.15%
F Platform Kickboard	Alloy 5251-H34
G Handrail	Alloy 6463-T6 / Mg 0.3-0.9 / Ti 0%
H Brackets	Alloy 5083-H116 / Mg 4.0-4.9 / Ti 0-0.15%
I Rods and Struts	Alloy 6463-T6 / Mg 0.3-0.9 / Ti 0%
J Spacer	Polyethylene
K Step Plates	Alloy 5052/5251 / Mg 2.2-2.8 / Ti 0%
L Rear Step	Alloy 5052/5251 / Mg 2.2-2.8 / Ti 0%
Rivets	Zinc Plated Low Carbon Steel
Nuts	Plated Mild Steel with gold passivate
Washers	Plated Mild Steel with gold passivate

Product Code	FPE-PM 1.7
Manufacturer's Name	Branach Manufacturing Pty Ltd
Phone Number	+61 3 9761 6633
Certified By (Name, Title)	Matt Reeves Engineer
Last Updated	14/11/2018



PLEASE NOTE IMAGE IS OF FPE-PM 1.4