

BRANACH
SAFETY. OUR WAY OF LIFE

Fall Control System



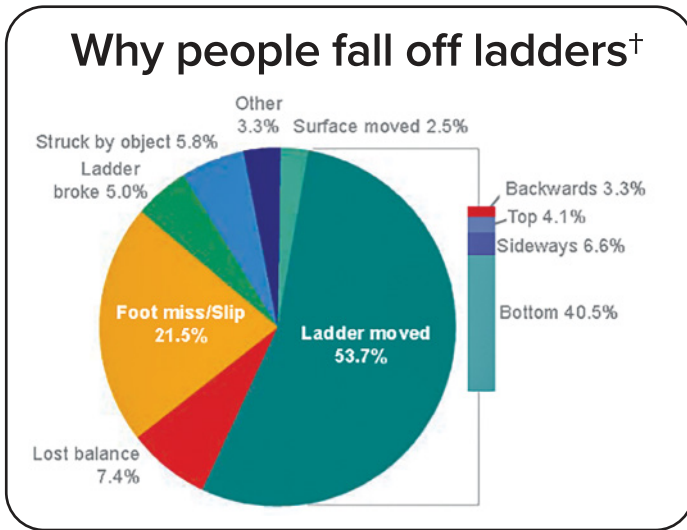
branach.com

Why Fall Control?

After years in the field and working closely with customers, we knew what needed to happen.

Simple

A system to ensure the height worker is safe while ascending, descending or accidental fall, slip or medical issue.



The elements of the Branach Fall Control address:

STRENGTH required to arrest the user.

STABILITY required to remain upright during a fall event.

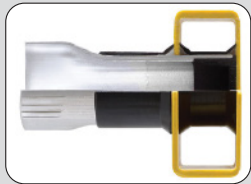
ANCHORING mechanism to ensure the user does not separate from the ladder structure.

RESCUE so the height worker can be safely lowered down by someone on the ground.

The design and unique construction of our award winning system addresses the two most common ladder failure modes.

Failure Mode 1

STABILITY FAILURE – Movement of the ladder. *Base slip, movement of the top of the ladder and sideways tipping.*



BOX RAIL rung joining system provides unparalleled performance in strength and stability, dramatically reduces twist and sway by up to 40%.



TERRAIN MASTER™ ensures a stable footing and eliminates sideways movement.



TETHERS that can be bolted into the ground or structure. This ensures the ladder is securely fixed.

Failure Mode 2

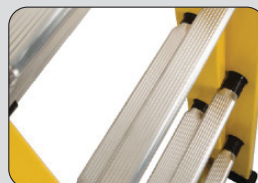
USER ERROR – Incorrect use of the Ladder. *Foot missed/slipped, User lost balance and overreaching.*



WORK POSITIONING HOOKS, HARNESS and LANYARD. These ensure adequate anchoring to the ladder structure.



The **INNOVATIVE DESCENDER** in the fall control system allows the user to replace themselves back on the ladder. **GROUND BASED RESCUE** system allows a passer-by to rescue the height technician in an emergency.



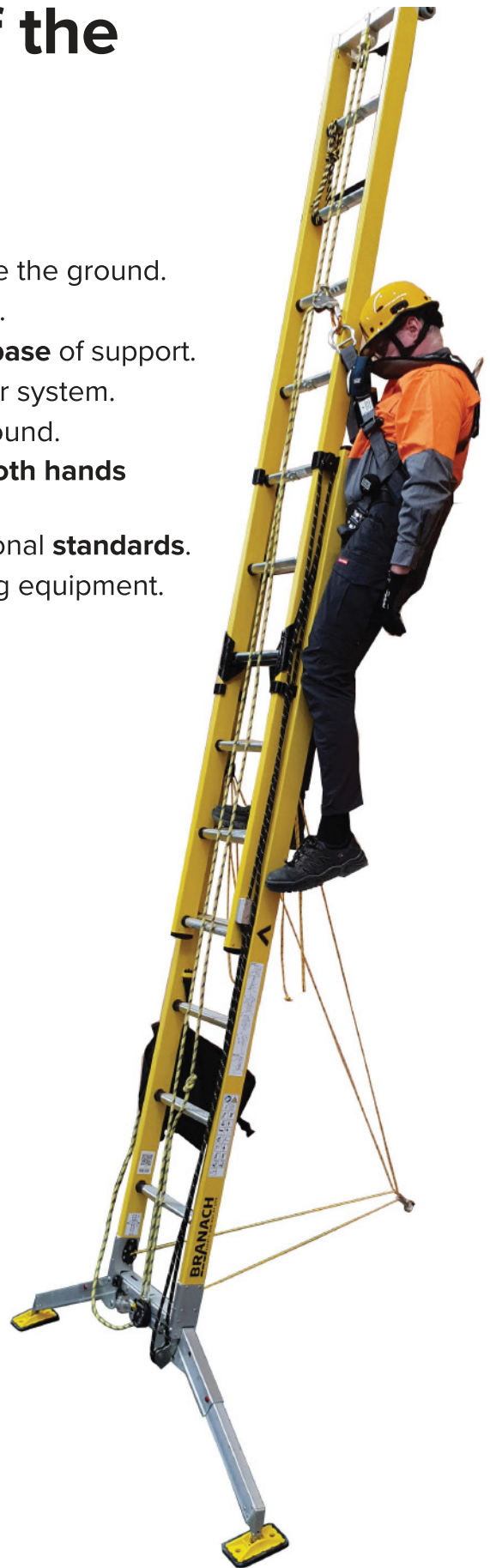
In addition, our **NON-SLIP RUNGS** help reduce foot slips.

†Source

Liberty Mutual Research Institute for Safety – Center for Injury Epidemiology (CIE)
From Research to Reality - Volume 15 | Number 3 | Winter 2012

Guiding Principles of the Branach Fall Control System

- The worker is **safe** from the moment they leave the ground.
- The stability system works from the **ground** up.
- Fall control system stems from the **increased base** of support.
- The ladder is **secured** with an integrated tether system.
- Integrated **rescue** by second user from the ground.
- Allows workers to work from the ladder with **both hands** comfortably and safely.
- To meet and exceed compliance and international **standards**.
- Design fit for purpose, **critical** piece of climbing equipment.
- Periodic **inspection** schedule incorporated.



Specifications

FEU EN795-FC

Extension Ladder with Fall Control FEU-FC

Features flat D rungs for greater foot stability, Extra Wide TerrainMaster, Branach Latch, Arapoline Rope, Tethers, Rope Bag, Rope Grab, Rung Work Position Hook, UniTop System which allow for accessories to be mounted to the top of the ladder, Descender/Rescue, Life Line and Level Bubble.

MODEL	↙	↗	⚠	kg
FEU 3.9 EN795 FC	2.90 m	3.90 m	150 kg / 150 kg	25 kg
FEU 5.1 EN795 FC	3.50 m	5.10 m	150 kg / 150 kg	28 kg
FED 6.3 EN795 FC	4.10 m	6.29 m	150 kg / 150 kg	29 kg
FEU 7.5 EN795 FC	4.70 m	7.50 m	150 kg / 150 kg	38.5 kg
FEU 8.7 EN795 FC	5.30 m	8.69 m	150 kg / 150 kg	42.5 kg
FEU 9.6 EN795 FC	5.90 m	9.60 m	150 kg / 150 kg	46.5 kg

- ↙ Closed height
- ↗ Extended height
- ⚠ Maximum load rating (Ladder / Fall Control)
- kg Weight (Without Bag / With Bag)

Safe Working Area

With Harness and Branch Harness Tether

UniTop Attachments

UniTop accessories are only compatible with the Branch mounting system



Wide Pole strap - TW



Stand Off Wall Mounts - SA



Vertical Wheels for Demountable UniTop** - VW



Tool Hoist - TJ



Demountable UniTop - TQ

Features

- 1 UniTop and Upper Pulley
- 2 Rung Work Position Hook
- 3 Non-slip Rungs
- 4 Tether Tensioner
- 5 Box Rail Rung Joining System
- 6 Tether Rope
- 7 Rope Bag
- 8 Vertical Lifeline (configured for rescue)
- 9 Lower Tether Hooks
- 10 Level Bubble
- 11 Descender
- 12 Extra Wide TerrainMaster



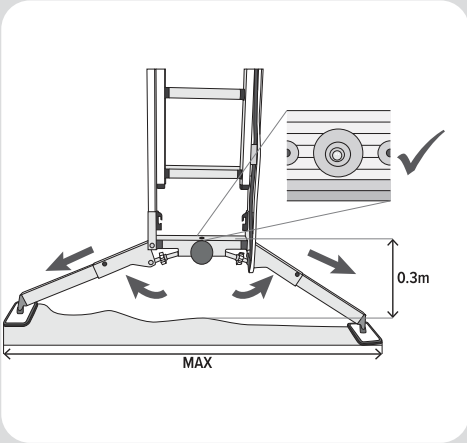
Davit Arm System Kit - DA



How does it work?

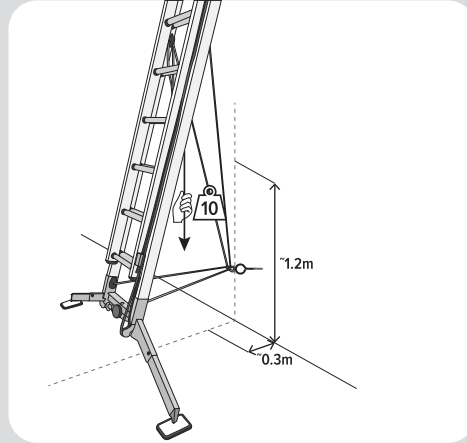
Step 1

Deploy the Terrain Master to its widest setting, using level bubble to ensure correct angle.



Step 2

Attach rope tethers around pole or to structure. Apply tension.



Step 3

Attach harness to the fall arrest device.



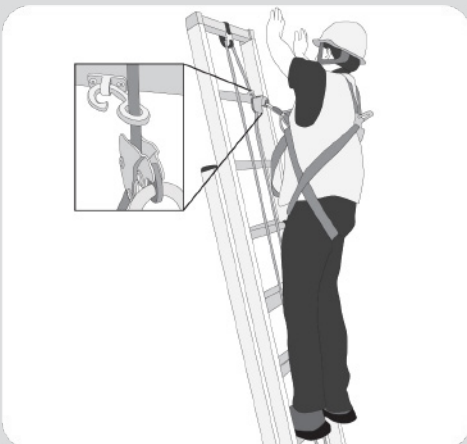
Step 4

Test weight on system.



Step 5

Ascend ladder to desired position. Use work positioning hook to attach to rung hook.



Rescue

Rescue is simple and easy to perform without putting a second user at risk.



Ladder Usage Work Risk Matrix

Stage	Risks	Failure Mode	Controls			
			Level 1	Level 2	Level 3	
			Conventional Ladder	Ladder with Terrain Master	Ladder System: Attached at rung + wall tie	Ladder System: With life line + wall tie
Access/Egress	Uneven ground	Side tip	✗ ▲	●	●	●
	Soft ground	Side tip	✗	●	●	●
	Wrong setup incline	Slip back	✗ ▲	●	●	●
	Slippery surface	Slip back	✗ ▲	▲	●	●
	Carrying tools up ladder	Slip off	✗	✗	✗	●
	Fall during climb	Slip off	✗	✗	✗	●
Work from ladder	Apply force to structure	Slip back	✗ ▲	●	●	●
	Two hand operation	Fall off	✗ ▲	▲	●	●
	Over reaching	Side fall	✗	✗	●	●
	Over reaching	Ladder tips	✗	●	●	●
	Slip	Fall off	✗	✗	✗	●
	Dropping Tools		●	●	●	●
Rescue/Fall Event	Legs get tangled in fall	Side tip	✗	✗	▲ ¹	▲ ¹
	Head injury from slip	Fall off	✗	● ²	● ²	● ²
	Bite/Sting/Accident	Fall off				
	No rescue equipment	Suspension trauma	✗	✗	● ³	●
	Wait to be rescued	Suspension trauma	✗	✗	▲ ⁴	▲ ⁴
	Rescue accident on ladder	Ladder fails	✗	✗	▲	●
	Ladder system damaged	Fails Insepction	✗	✗	✗	✗
	Injured from fall	Unconscious	✗	✗	✗	✗
Compliance/Environment	AS NZS 1892		●	●	●	●
	AS NZS 1892 Higher Stability		✗	●	●	●
	Training		●	●	●	●
	Periodic Inspection Program		▲ ⁵	▲ ⁵	▲ ⁵	▲ ⁵
	Misuse / Incorrect Operation		▲ ⁶	▲ ⁶	▲ ⁶	▲ ⁶
	Electrically Compliant		●	●	●	●

Key

- Risk addressed
- ✗ No control
- ▲ Admin control needed
- ¹ 2nd Ladder tie off
- Optional Equipment
- ² Climbing Helmet
- ³ Pole/ladder top rescue kit
- ⁴ Lone worker man down system
- ⁵ Periodic Inspection
- ⁶ Training

BRANACH AUSTRALIA

Head Office & Manufacturing

a 891 Wellington Road
Rowville 3178, VIC, Australia
t +61 3 9761 6633
e sales@branach.com.au
w www.branach.com

BRANACH GmbH

a Im Speyerer Tal 5, Halle 4, 76761 Rülzheim, Germany
t +49 1523 6750 888 (Germany)
t +40 743 238 006 (Romania)
e sales@branach.com
w branach.com

INTERNATIONAL DISTRIBUTORS

w <https://www.branach.com/distributors>

